

NOTES:
 ARROW ON CONTROLS INDICATE CLOCKWISE ROTATION.
 ALL RESISTORS ARE: 20% TOLERANCE, 1/2 WATT, CARBON UNLESS OTHERWISE SPECIFIED.
 ALL VOLTAGES ARE D.C. UNLESS OTHERWISE SPECIFIED.
 ALL VOLTAGES ARE MEASURED WITH POINTS INDICATED TO CHASSIS WITH AN A.C.-D.C. VACUUM TUBE VOLTMETER.

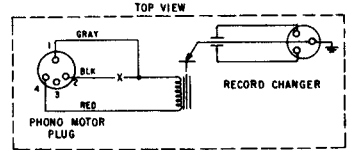
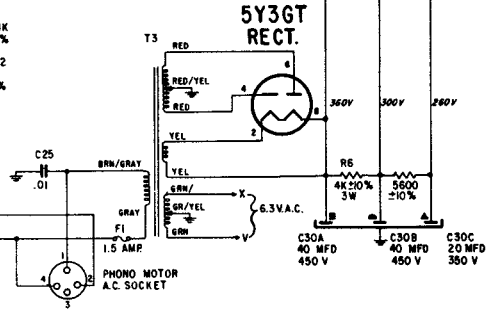
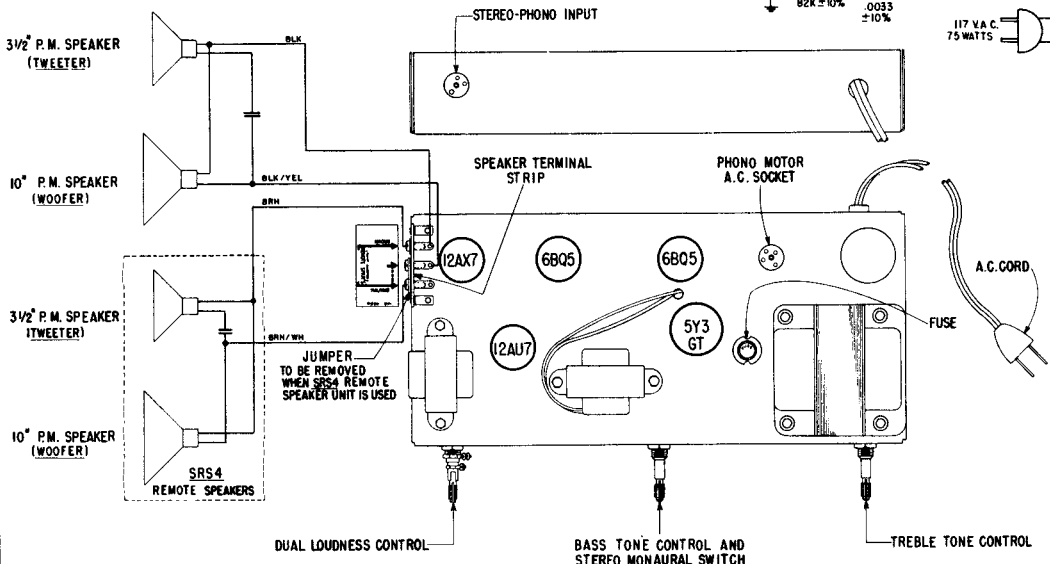
⊕ DENOTES CHASSIS

3 1/2" P.M. SPEAKER (TWEETER)

10" P.M. SPEAKER (WOOFER)

3 1/2" P.M. SPEAKER (TWEETER)

10" P.M. SPEAKER (WOOFER)



ZENITH Chassis 5B27
 Used in Models SF114E, R, W

ZENITH Chassis 5B27
 Used in Models SF114E, R, W